



Producer: **Frascold**

Line: **A**

Model: **A07-5Y**

Cooling capacity [kW]: **2.03**

Displacement [m³/h]: **4.9**

Refrigerant: **R22, R134a, R404A, R407A, R407C, R407F, R448A, R449A, R450A, R452A, R507, R513A**

Capacity control: **None, Inverter (option)**

Power supply: **400V/3Ph/50Hz**

Data

Technical data

Displacement	[m ³ /h]	4.9
Cylinders quantity		2
Oil charge	[l]	1.00
Oil type		POE32
Type of lubrication		Splash lubrication
Net weight	[kg]	36.00

Electrical data

Power supply		400V/3Ph/50Hz
Maximum continuous current	[A]	2.7
Locked rotor amperage	[A]	10.7
Maximum motor frequency	[Hz]	87
Minimum motor frequency	[Hz]	30
Nominal motor power for 50 Hz	[kW]	0.52
Nominal motor power for 50 Hz	[HP]	0.70
Motor connection		DOL

Dimensions

Suction valve diameter (SV)	[inch]	5/8
Suction valve diameter (SV)	[mm]	16.0
Discharge valve diameter (DV)	[inch]	1/2
Discharge valve diameter (DV)	[mm]	12.7
Length	[mm]	317
Height	[mm]	275
Width	[mm]	237

Other

Approved refrigerants	R22, R134a, R404A, R407A, R407C, R407F, R448A, R449A, R450A, R452A, R507, R513A
Capacity control	None, Inverter (option)

Performance

Nominal conditions: refrigerant: R404A, evaporation: -10°C (dew point), condensation: 45°C (dew point), superheating: 10K, subcooling: 0°C

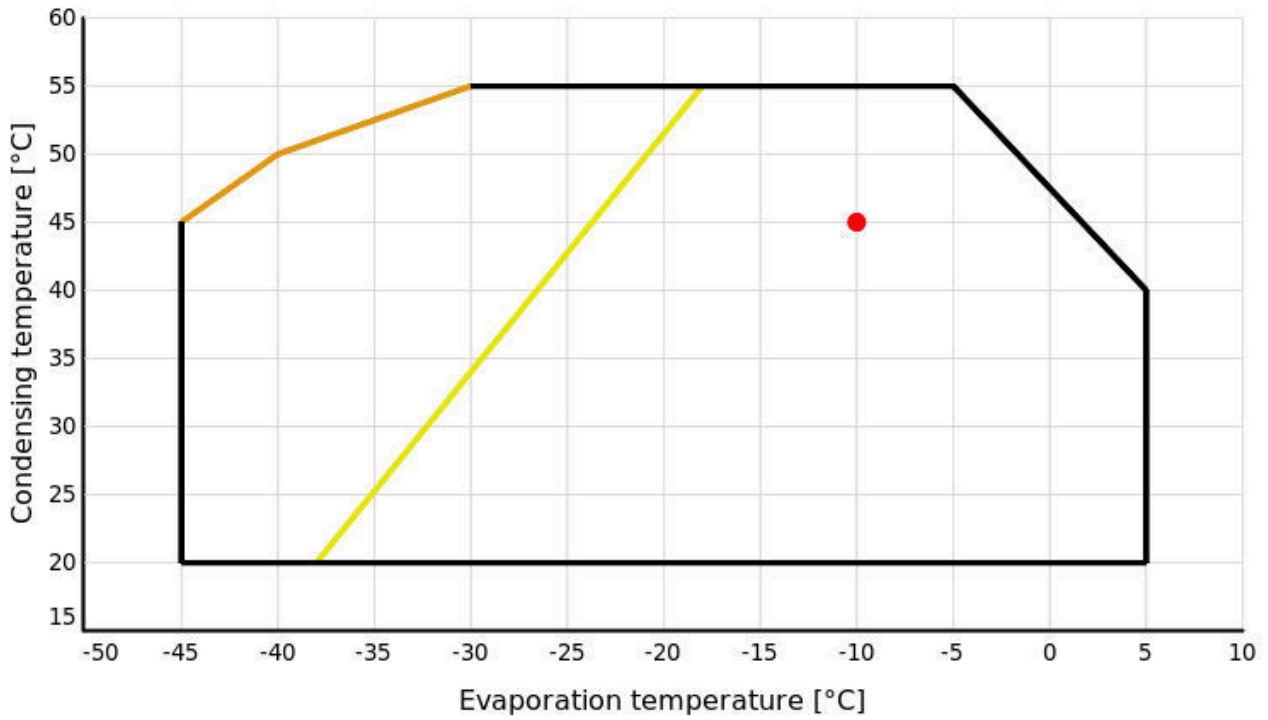
Cooling capacity

		Evaporation temperature [°C]										
		-45	-40	-35	-30	-25	-20	-15	-10	-5	0	5
Condensation temperature [°C]	55				0.42	0.60	0.83	1.12	1.49	1.95		
	50		0.22	0.35	0.51	0.72	0.99	1.33	1.76	2.28		
	45	0.16	0.27	0.42	0.61	0.86	1.17	1.56	2.03	2.61	3.31	
	40	0.21	0.33	0.50	0.72	1.00	1.35	1.79	2.32	2.96	3.72	4.61
	35	0.26	0.40	0.59	0.84	1.16	1.55	2.04	2.62	3.32	4.14	5.10
	30	0.32	0.48	0.69	0.97	1.32	1.76	2.29	2.93	3.69	4.58	5.61
	25	0.39	0.56	0.80	1.10	1.49	1.97	2.56	3.25	4.07	5.03	6.12
	20	0.46	0.65	0.91	1.25	1.67	2.20	2.83	3.58	4.47	5.49	6.65

Power consumption

		Evaporation temperature [°C]										
		-45	-40	-35	-30	-25	-20	-15	-10	-5	0	5
Condensation temperature [°C]	55				0.69	0.81	0.94	1.07	1.20	1.32		
	50		0.51	0.59	0.69	0.80	0.92	1.04	1.15	1.26		
	45	0.44	0.51	0.59	0.69	0.79	0.90	1.01	1.11	1.20	1.28	
	40	0.44	0.51	0.59	0.69	0.79	0.88	0.98	1.06	1.13	1.19	1.22
	35	0.45	0.52	0.60	0.69	0.78	0.86	0.94	1.01	1.06	1.09	1.10
	30	0.46	0.52	0.60	0.68	0.76	0.84	0.90	0.95	0.98	0.99	0.97
	25	0.46	0.53	0.60	0.68	0.75	0.81	0.86	0.89	0.90	0.88	0.83
	20	0.47	0.53	0.60	0.67	0.73	0.77	0.80	0.82	0.80	0.75	0.67

Application range

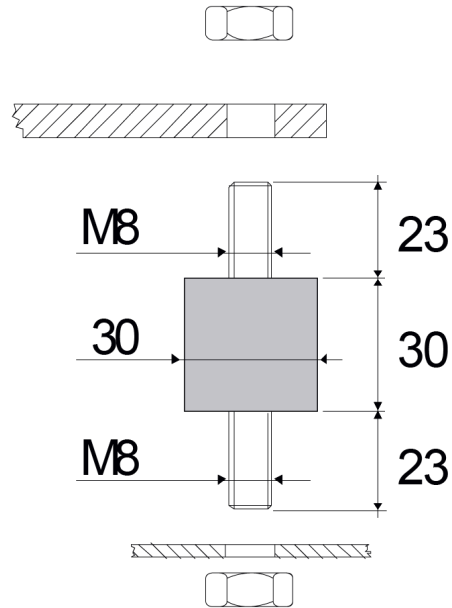
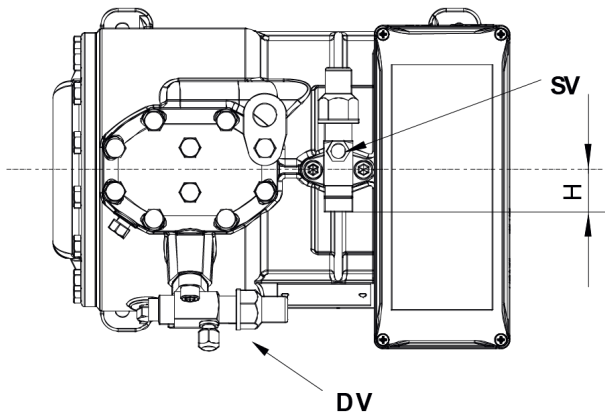
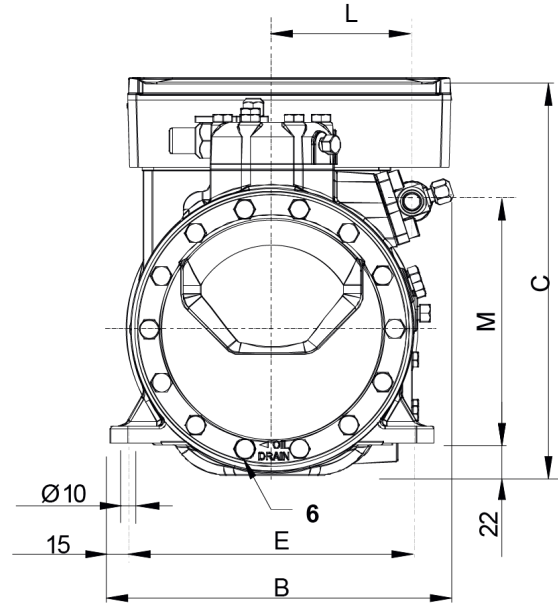
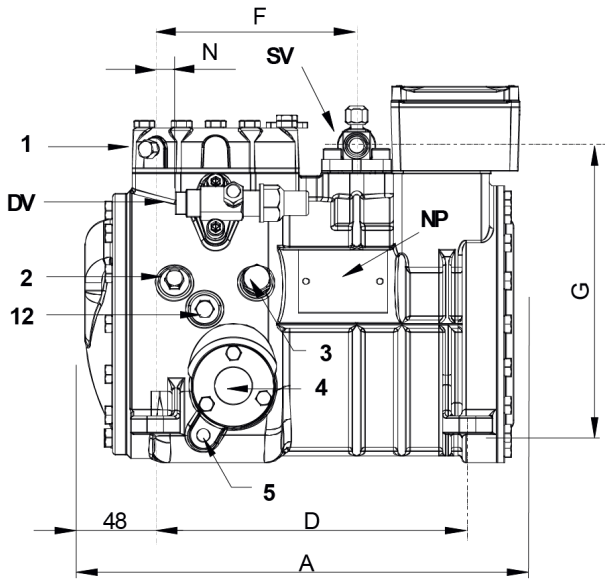


Legend

- With additional header cooling
- Without cooling

Reference conditions - suction gas temperature: 20°C, subcooling: 0 K.

Dimensions



Symbols

1	High pressure connection	1/8" NPT
2	Low pressure connection	1/8" NPT
3	Oil charge plug	1/4" GAS
4	Oil level sight glass	-
5	Crankcase heater seat	-
6	Oil drain plug	M8 x 22
12	Oil return plug	1/8" NPT

DV	Discharge valve
SV	Suction valve
NP	Nameplate

Compressor dimensions

Dimension A	[mm]	317
Dimension B	[mm]	237
Dimension C	[mm]	275
Dimension D	[mm]	234
Dimension E	[mm]	194

Valves position

Dimension F	[mm]	150
Dimension G	[mm]	209
Dimension H	[mm]	29
Dimension L	[mm]	97
Dimension M	[mm]	167
Dimension N	[mm]	18
